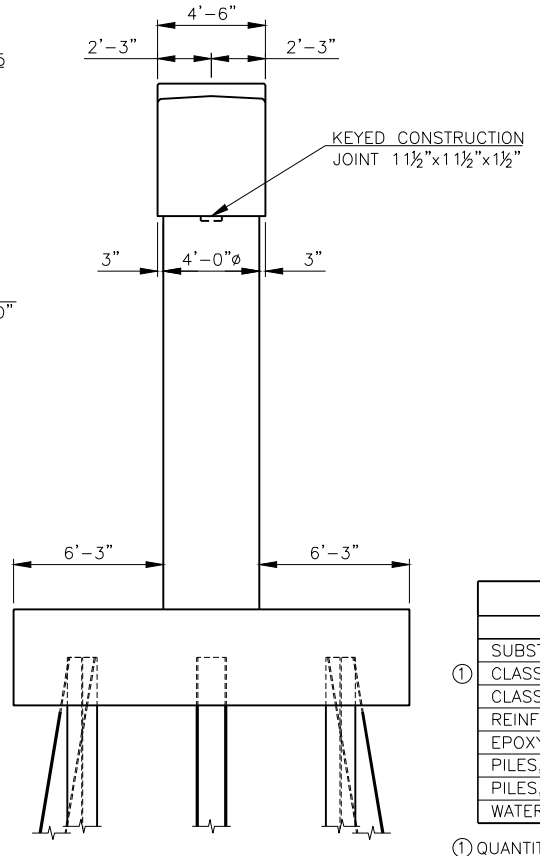
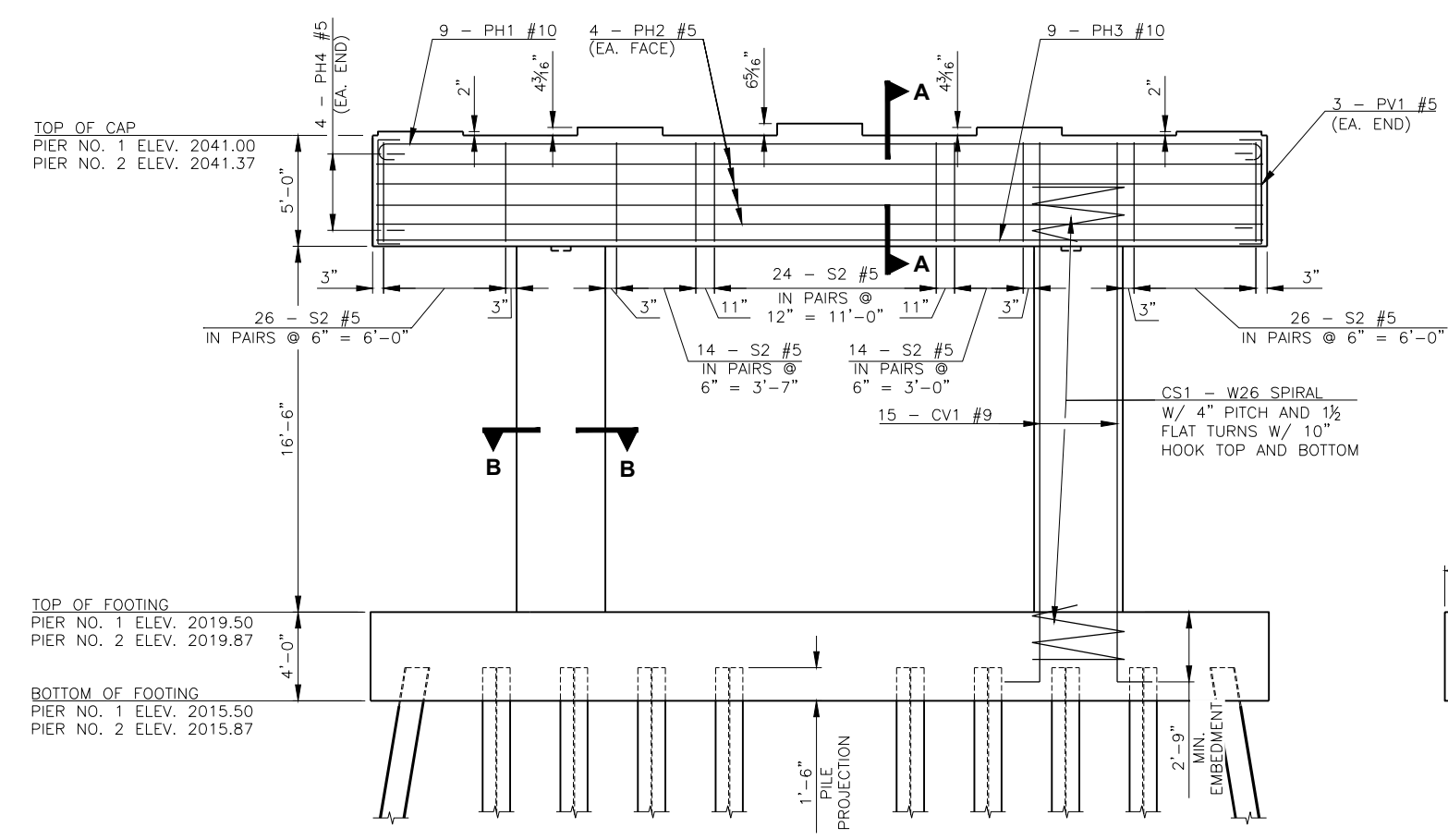


NOTE:
 FOR SUBSTRUCTURE EXCAVATION, SEE SHEET 25.

NOTE:
 FOOTING REINFORCEMENT OMITTED FOR CLARITY. FOR ADDITIONAL FOOTING DETAILS, SEE SHEETS 29 AND 30.

NOTE:
 FOR BAR BENDS AND BAR LIST, SEE SHEET 31.

NOTE:
 FOR PILING STEEL PLATE REINFORCING TIP DETAILS, SEE SHEET 31.



PIER QUANTITIES

ITEM	UNIT	PIER NO. 1	PIER NO. 2	TOTAL
SUBSTRUCTURE EXCAVATION COMMON	C.Y.	1,820	1,585	3,405
CLASS AA CONCRETE	C.Y.	116.8	116.8	233.6
CLASS A CONCRETE	C.Y.	34.6	34.6	69.2
REINFORCING STEEL	LB.	940	940	1,880
EPOXY COATED REINFORCING STEEL	LB.	22,860	22,860	45,720
PILES, FURNISHED (HP 14X89)	L.F.	1,378	2,046	3,424
PILES, DRIVEN (HP 14X89)	L.F.	1,378	2,046	3,424
WATER REPELLENT (VISUALLY INSPECTED)	S.Y.	73	73	146

① QUANTITY USED TO CONSTRUCT PIER COLUMNS AND FOOTING.

W26 COLUMN SPIRAL TO EXTEND 2'-0" MINIMUM INTO PIER CAP AND FOOTING.

DESIGN	J.W.H.	SH34 OVER S. PERSIMMON CREEK	WOODWARD COUNTY
DRAWN	R.A.P.	BRIDGE A	
CHECKED	J.W.H.	PIER NO. 1 AND 2 DETAILS	
APPROV.	T.A.C.	(SHEET 1 OF 3)	
SQUAD	CEC	JOB PIECE NO. 28825(04)	SHEET NO. 28